



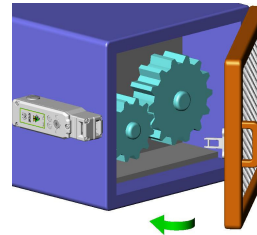
# Safety Interlock Switch with Guard Locking

KLP

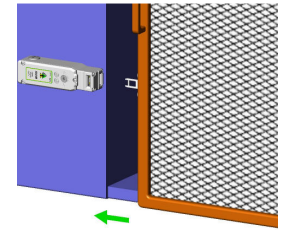
Operating Instructions



Plastic Body



Hinged Guard



Sliding Guard

## IMPORTANT NOTE:

Read and understand these instructions before installing, operating, or maintaining this equipment.

The product is designed to be a component of a customised safety orientated control system. It is the responsibility of each manufacturer to ensure the correct overall functionality of its systems and machines. IDEM, its subsidiaries and affiliates, are not in a position to guarantee all of the characteristics of a given system or product not designed by IDEM.

## Application and Operation:

Safety Interlock Switches with Guard Locking are designed to fit to the leading edge of sliding or hinged guard doors to provide positively operated switching contacts and provide a tamper resistant key mechanism. They are designed to provide robust position interlock detection and holding closed of moving guards. The switch is rigidly mounted to the frame of the guard or machine. The actuator is fitted to the moving part (frame) of the guard and is aligned to the switch entry aperture. The actuator profile is designed to match a cam mechanism within the switch head and provides a positively operated not easily defeatable interlock switch. When the guard is closed and the actuator is inserted into the switch the safety contacts close, the actuator is locked and the machine start circuit can be enabled. When the solenoid is energised the safety contacts are positively opened, the machine stop circuit is broken and the guard door can be opened.

## Installation:

1. Installation of all interlock switches must be in accordance with a risk assessment for the individual application. Installation must only be carried out by competent personnel and in accordance with these instructions.

2. M5 mounting bolts must be used to fix the switch and actuator, the tightening torque to ensure reliable fixing is 4.0 Nm. **To prevent loosening of the switch after installation, always fix the M5 mounting bolts with a thread-locking compound or secure using self locking nuts.**

Tightening torque for the lid screws, conduit entry plugs and cable glands must be 1.5 Nm to ensure IP seal.

Only use the correct size gland for the conduit entry and cable outside diameter.

Tightening torque for the connection terminal screws is 0.7 Nm, max conductor size is 1.0 sq.mm.

The switch head position can be selected by removing the actuator, loosening the 4 head bolts and then rotating the head to the position required. Re-tighten the head bolts and then check actuator insertion and withdrawal.

Tightening torque for the head bolts is 1.5Nm.

3. Always fit a mechanical stop to the guard to prevent damage to the front of the switch. Set the actuator gap to 3mm when the guard is closed and against the stop. (See Fig. A.) Use alignment guides to ensure that the actuator enters the switch without interfering with the sides of the aperture. Ensure access to at least one of the manual release points. Always fit the aperture plug to the unused entry aperture to prevent debris entering the switch mechanism.

4. After installation check operation of all control circuits and the locking function. For applications with a run down time after removing power, ensure that the correct timing allowance has elapsed before energising the solenoid. LED 1 RED will illuminate when power is applied to A1 and A2 (solenoid feed). LED 2 GREEN (if used) will be illuminated when the actuator is locked.

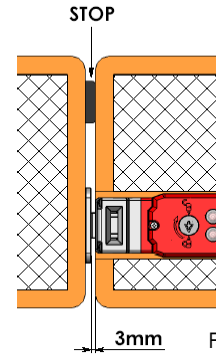
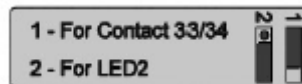


Fig. A

## 5. IMPORTANT!

At installation choose the status of Terminals 33 and 34 by setting the slide switch inside the switch housing.



If LED2 is used always check for correct .dc polarity.  
Terminal 33: 0V.dc Terminal 34: +24V.dc

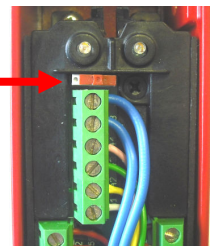


Fig. B



Top or Side Manual release points

8 actuator entry positions rotatable head

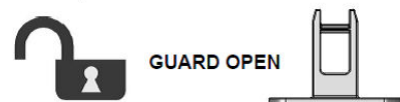
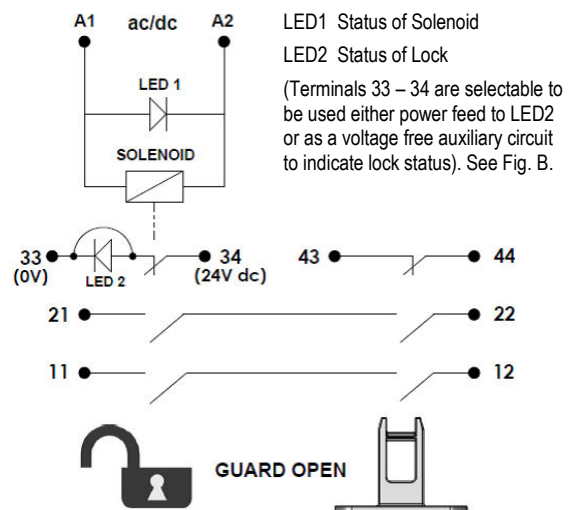
## Maintenance:

Every Week: Check correct operation of all circuits and the Lock function. If the actuator shows signs of bending or the switch head housing displays mechanical damage then remove and replace the whole device. IDEM will not accept responsibility for failure of the switch functions if the installation and maintenance requirements shown in this sheet are not implemented.

**Never attempt to remove the internal screws or parts of the mechanism, any attempt to do so will invalidate the product warranty. Never attempt to repair any switch.**

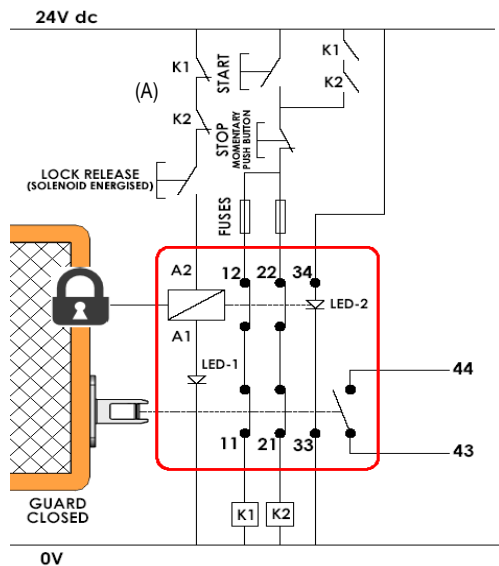
Every 6 Months: Isolate power and remove cover. Check screw terminal tightness and check for signs of moisture ingress.

THESE INSTRUCTIONS FORM PART OF THE PRODUCT WARRANTY.



GUARD OPEN

# Safety Interlock Switch with Guard Locking



## Application Example: Door Interlock with Guard locking - Dual Channel (non-monitored).

The guard is locked closed until the solenoid is energized. The solenoid can only be energized when the auxiliary contacts (A) of contactors K1 and K2 are closed.

When the lock release button is pushed the locking mechanism is released and the switch contacts 11-12 and 21-22 are opened. These contacts are in series with contactor coils of K1 and K2 and will prevent re-start whilst the guard is open.

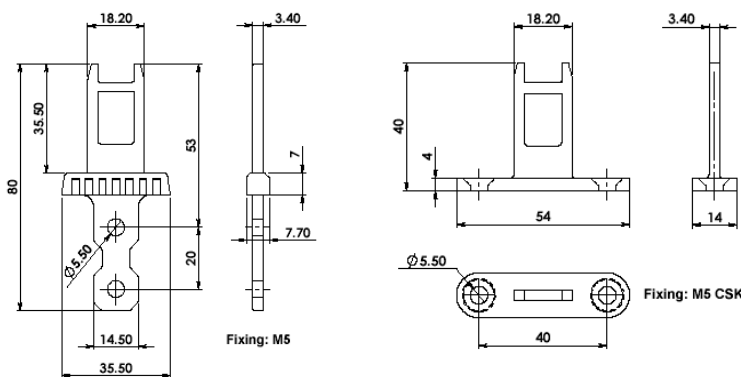
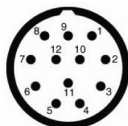
If after pressing the Stop button either contactor K1 or K2 stays closed the motor will stop but the solenoid cannot be energized or the guard opened.

LED 1 provides visual indication of solenoid power applied.

LED 2 provides visual indication of guard locked and machine able to start.

System is shown with machine stopped, guard closed and locked, and the solenoid able to be energised.

Quick Connect (QC) M23 12 way Male Plug (Pin view from switch)	Switch Circuit
1 3	A1 A2
4 6	11 / 12
7 8	21 / 22
2 5	43 / 44
9	33
10	34
Earth	12



Fixing: M5

Fixing: M5 CSK

Fixing: M5

Actuator insertion (mm)

	6.0	5.0	0 mm
11/12	Open		
21/22	Open		
33/34			Open
43/44			Open

- Conforming to Standard:** EN1088, IEC 60947-5-1, UL508
- Safety Classification and Reliability Data:**
- Mechanical Reliability B10d 2.5 x 10<sup>6</sup> operations at 100mA load up to PL<sub>e</sub> / Cat.4 depending upon system architecture
  - ISO 13849-1 EN 62061 up to SIL3 depending upon system architecture
  - Safety Data - Annual Usage 8 cycles per hour / 24 hours per day / 365 days
  - PFHd 3.44 x 10<sup>-8</sup>
  - Proof Test Interval (Life) 35 years
  - MTTFd 356 years
  - Solenoid Voltage (by part number) 24V ac/dc or 110V. ac or 230V. ac +/- 10% (12W.)
  - LED 2 Supply Voltage 24V dc +/- 10%
  - Safety Contacts 11/12 21/22 Utilization Category AC15 A300 3A.
  - Thermal Current (I<sub>th</sub>) 5A
  - Auxiliary Contact 33/34 (selectable with LED2) 230V.ac/dc 0.5A. maximum.
  - Auxiliary Contact 43/44 230V.ac/dc 0.5A. maximum.
  - Rated Insulation Voltage 600VAC
  - Rated Impulse Withstand Volt 2500VAC
  - Travel for Positive Opening 10mm
  - Approach Speed 200mm/m. to 1000mm/s.
  - Man. Actuation Frequency 2 cycle/sec
  - Actuator entry minimum radius 175mm Standard 100mm Flexible
  - Case Material Glass Filled Polyester
  - Actuator Material Stainless steel 316
  - Enclosure Protection IP67
  - Operating Temperature -25°C to 55°C
  - Holding Force 1800N. (Max.).
  - Vibration IEC 68-2-6, 10-55Hz+1Hz, Excursion: 0.35mm, 1 octave/min
  - Various (See Sales Part Numbers)
  - Conduit Entry 4 x M5
  - Fixing 4 x M5

### Information with regard to UL 508:

Type 1 Enclosures.  
Intended for same polarity use and one polymeric conduit connection.  
Electrical Rating: A300. 48W5.  
Max. Switching Current / Volt / Amp:  
120V. 6A. (720VA break) PF 0.38  
240V. 3A. (720VA break) PF 0.38

### Note:

The switch solenoid is rated continuous duty although if left permanently energised the switch may become hot to touch. As a precaution it is always advised to limit the energised time of the solenoid.

